

The PNV L in-line pneumatic valve belongs to the LINE ON LINE® family and can be connected in series or in parallel with the other products in the same family.

It is available in a version for pipe-pipe connection, which includes two push-in fittings, and a version for thread-pipe connection, which includes a nickel-plated brass male thread and a push-in fitting.

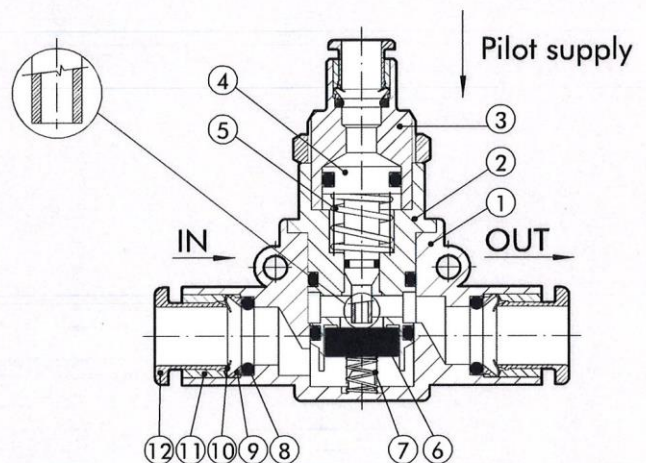
The compressed air port is a push-in fitting for Ø 4 pipe. The valve is the normally-closed 3/2 pipe. It is a unidirectional valve, meaning it only works properly if supplied from port 1.



TECHNICAL DATA		Ø 6	Ø 8
Max. operating pressure	MPa		1
	bar		10
	psi		145
Temperature range	°C		- 20 to + 60
	°F		- 4 to + 140
			Rilsan PA 11 - Nylon 6 - Polyamide 12 - Polypropylene
Recommended pipe			Lubricated or unlubricated filtered air
Fluid			Please refer to page 6-7 of the technical documentation
Compatibility with oils			

COMPONENTS

- ① Technopolymer body
- ② Nickel-plated brass insert
- ③ Nickel-plated brass pilot insert
- ④ Brass piston rod
- ⑤ Stainless steel clamping spring
- ⑥ NBR seal
- ⑦ Stainless steel poppet spring
- ⑧ NBR seal
- ⑨ Technopolymer spring ring
- ⑩ Stainless steel clamping spring
- ⑪ Technopolymer stop bushing
- ⑫ Technopolymer release bushing



Department eDocumentation

Phone. +49 7125 9497 -41, -42, -53, -260, -330

Fax. +49 7125 949799

e-mail: eDocumentation@riegler.de

reserved. The proficiency testing is the responsibility of the user. The specified data do not represent legally guaranteed properties

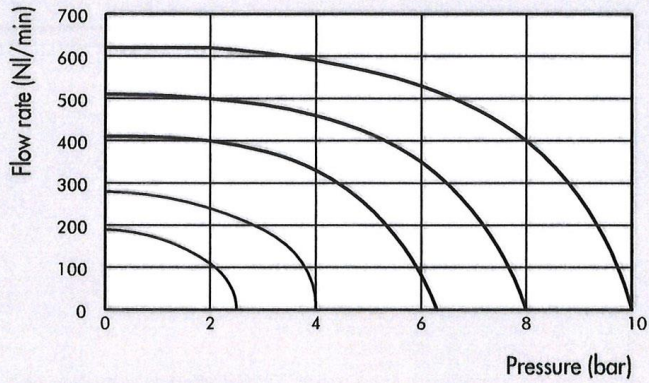
edition 02/2024

RIEGLER & Co. KG

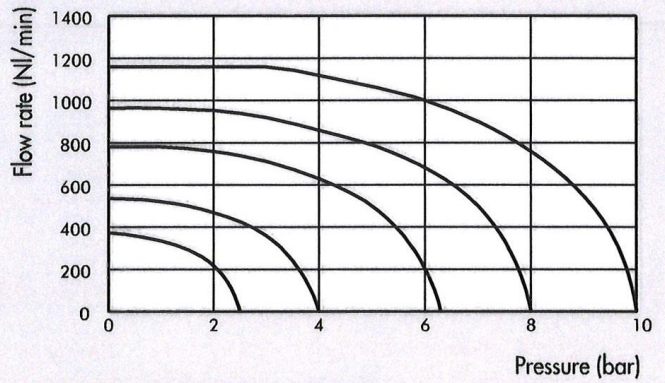
www.riegler.net Subject to technical changes an errors

FLOW CHARTS

PNV L Ø 6

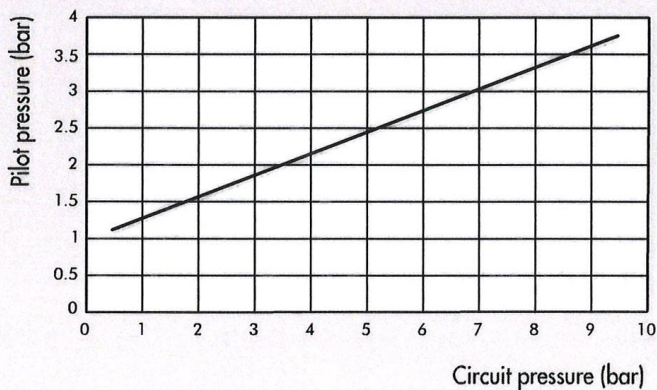


PNV L Ø 8

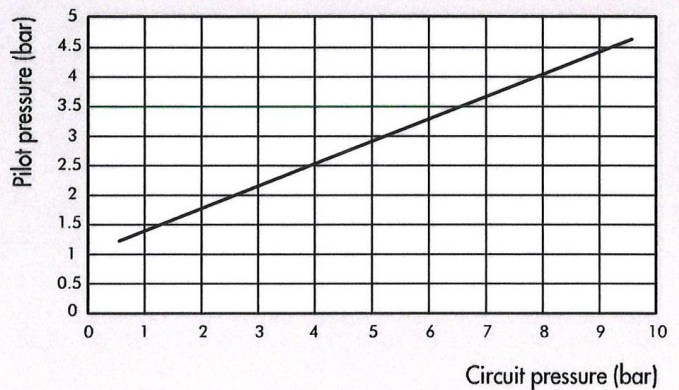


MINIMUM PILOT PRESSURE

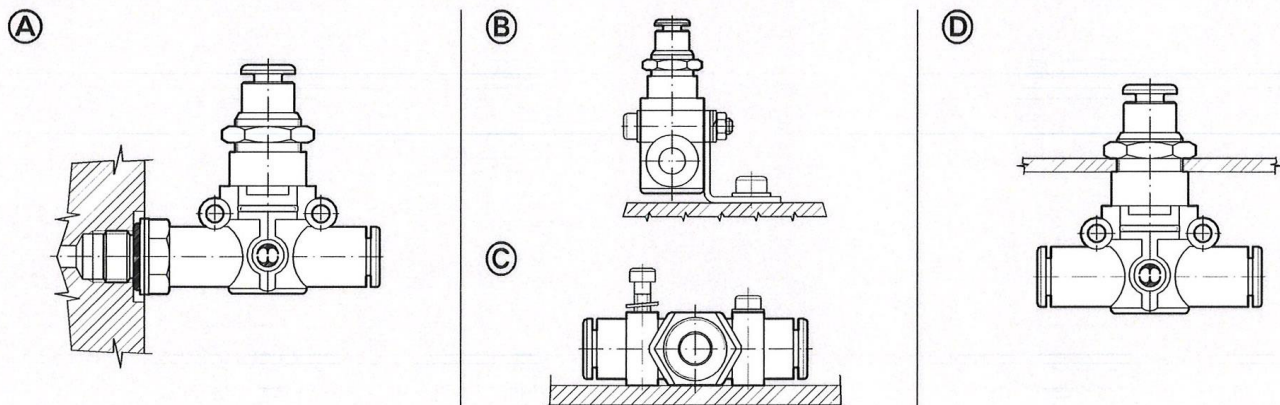
PNV L Ø 6



PNV L Ø 8



ASSEMBLY OPTIONS

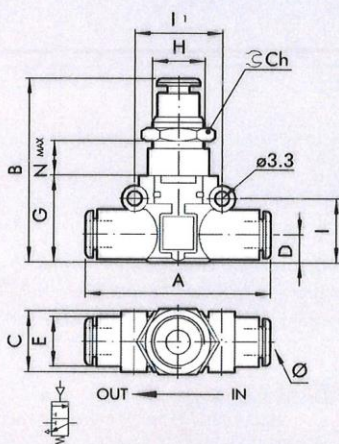


How to mount the PNV L:

- Fig. Ⓐ With the male threaded port it is possible to mount the PNV L straight onto the actuator or the control valve.
- Fig. Ⓑ Fixing to the plate with the special SQU L bracket.
- Fig. Ⓒ There are two robust rings on the plastic body for fixing the PNV L straight onto the wall.
- Fig. Ⓓ The ring nut is screwed onto the threaded metal part of the PNV L body for panel mounting.

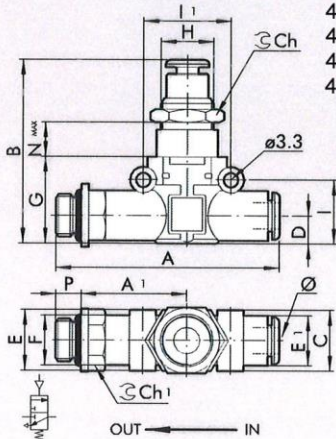
PNV L 3/2 NC PIPE - PIPE

Code	Ref.	Ø	A	B	C	D	E	G	H	I	II	Ch	Nmax
490-6	PNV L 3/2 NC Ø6 - Ø6	6	49.4	43.2	14.7	6.4	11.4	20	M12x0.75	14.6	20	15	4.7
490-8	PNV L 3/2 NC Ø8 - Ø8	8	57.3	49.7	18.7	9.1	13.8	26	M15x1	18.7	24	17	4



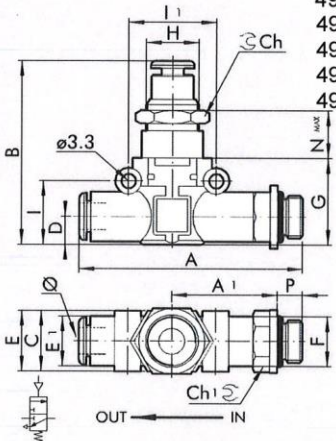
PNV L 3/2 NC PIPE - THREAD

Code	Ref.	F	Ø	P	A	A1	B	C	D	E	E1	G	H	I	II	Ch	Nmax
491.018-6	PNV L 3/2 NC Ø6 - 1/8	1/8	6	6	58.5	27.8	43.2	14.7	6.4	14	11.4	20	M12x0.75	14.6	20	15	4.7
491.014-6	PNV L 3/2 NC Ø6 - 1/4	1/4	6	8	61.5	28.8	43.2	14.7	6.4	18	11.4	20	M12x0.75	14.6	20	15	4.7
491.018-8	PNV L 3/2 NC Ø8 - 1/8	1/8	8	6	66.2	31.8	49.7	18.7	9.1	15	13.8	26	M15x1	18.7	24	17	4
491.014-8	PNV L 3/2 NC Ø8 - 1/4	1/4	8	8	70.6	34.2	49.7	18.7	9.1	18	13.8	26	M15x1	18.7	24	17	4
491.038-8	PNV L 3/2 NC Ø8 - 3/8	3/8	8	9	72.2	34.8	49.7	18.7	9.1	22	13.8	26	M15x1	18.7	24	17	4



PNV L 3/2 NC THREAD - PIPE

Code	Ref.	Ø	F	P	A	A1	B	C	D	E	E1	G	H	I	II	Ch	Nmax
492.018-6	PNV L 3/2 NC 1/8 - Ø6	6	1/8	6	58.5	27.8	43.2	14.7	6.4	14	11.4	20	M12x0.75	14.6	20	15	4.7
492.014-6	PNV L 3/2 NC 1/4 - Ø6	6	1/4	8	61.5	28.8	43.2	14.7	6.4	18	11.4	20	M12x0.75	14.6	20	15	4.7
492.018-8	PNV L 3/2 NC 1/8 - Ø8	8	1/8	6	66.2	31.8	49.7	18.7	9.1	15	13.8	26	M15x1	18.7	24	17	4
492.014-8	PNV L 3/2 NC 1/4 - Ø8	8	1/4	8	70.6	34.2	49.7	18.7	9.1	18	13.8	26	M15x1	18.7	24	17	4
492.038-8	PNV L 3/2 NC 3/8 - Ø8	8	3/8	9	72.2	34.8	49.7	18.7	9.1	22	13.8	26	M15x1	18.7	24	17	4



Department eDocumentation

Phone. +49 7125 9497 -41, -42, -53, -260, -330

Fax. +49 7125 949799

e-mail: eDocumentation@riegler.de

reserved. The proficiency testing is the responsibility of the user. The specified data do not represent legally guaranteed properties

edition 02/2024

RIEGLER & Co. KG

www.riegler.net Subject to technical changes and errors

3.4

Summary Art. No.:

Art. No.	Ident No.
490-6	106790
490-8	106791
491.018-6	106792
491.018-8	106793
491.014-6	106794
491.014-8	106795
491.038-8	106796
492.018-6	106797
492.018-8	106798
492.014-6	106799
492.014-8	106800
492.038-8	106801